

Model PDD Perforated Displacement Diffuser



Model PDD diffuser provides a displacement system giving improved air quality and lower temperatures in the occupied zone. The perforated distribution plate provides a constant air distribution over the entire face area without any risk of draught. PDD is designed for installation within the step riser in auditoriums, theatres, cinemas, halls, where good indoor climate conditions are required.

Features

- Low velocity under seat air supply.
- Detachable perforated plate enables cleaning of the diffuser.
- Circular / rectangular duct connection.
- Easy to install and adjust.

Finish

- Steel construction.
Standard finish is black power coating. Special colour finishes are available to match architectural requirements.

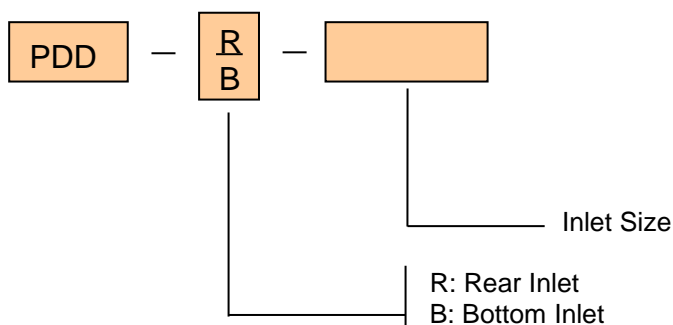
Accessories

- Flow regulation damper.
For location immediately behind diffusers within spigot.

Option

- Double perforated plate.

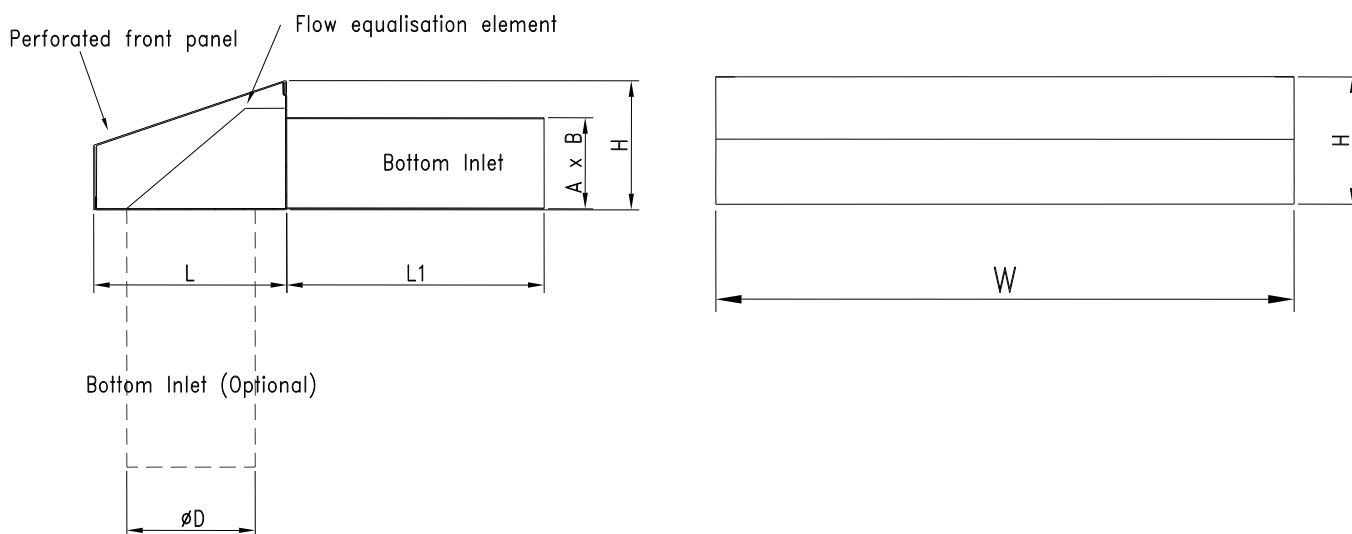
Order Code



Model PDD Perforated Displacement Diffuser



Dimension

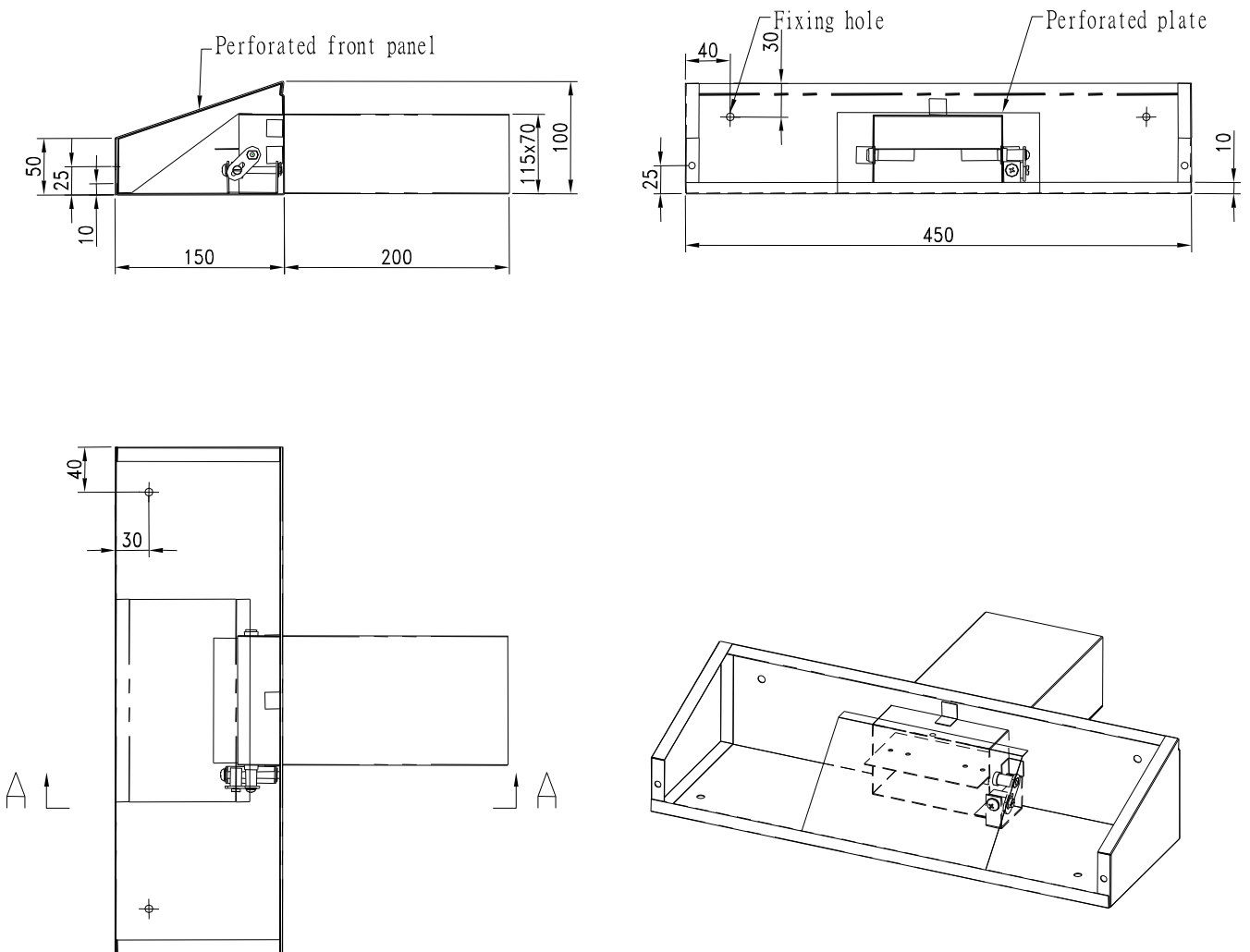


Model	W (mm)	L (mm)	H (mm)	L1 (mm)	A (mm)	B (mm)	$\varnothing D$ (mm)
PDD-R-115x70	450	150	100	200	115	70	-
PDD-B- φ 100	450	150	100	200	-	-	100

Performance Data

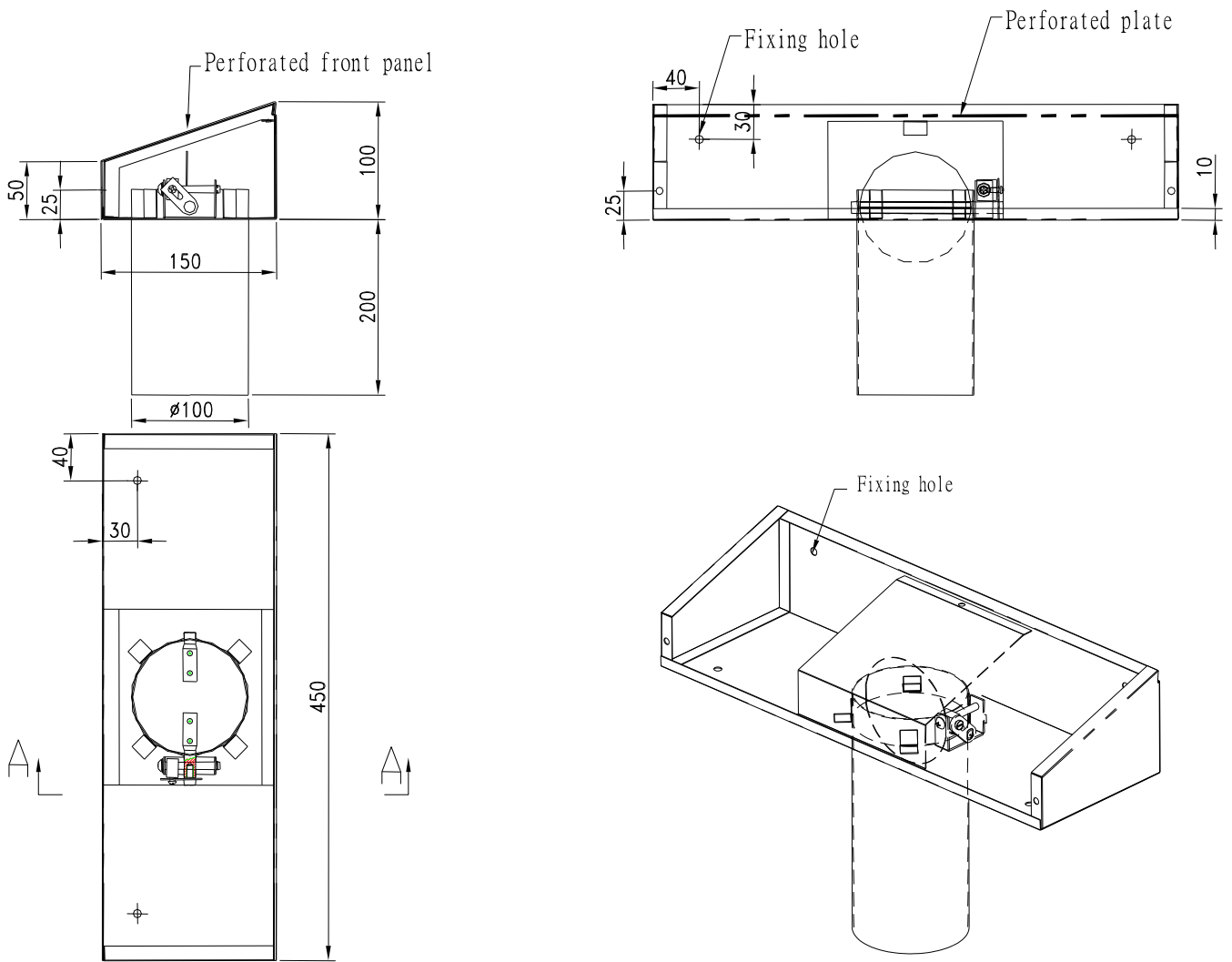
Air Flow (cfm)	Pressure Drop (inch H ₂ O)	Noise Level (NC)
60	0.035	15
80	0.06	22
90	0.075	28
100	0.09	30
120	0.12	34
140	0.17	40

Model PDD Perforated Displacement Diffuser



Model: PDD-R-115x70
Size: 450 x 150 x 100mm
Size of inlet: 115 x 70 x 200mm

Model PDD Perforated Displacement Diffuser



Model: PDD-B-Ø100
Size: 450 x 150 x 100mm
Size of inlet: Dia.100 x 200mm